

OUTDOOR SENSORS

Sensorstation FU 40.00 knx



Overview

- GPS Sensorstation for the KNX Bus
- Reception and processing of the GPS-signal
- Temperature and light / brightness sensor
- Lighting control
- Temperature control
- Twilight switch with daily program
- Daily time switch
- Astronomic time switch
- World-wide applicable
- Compact wallmount housing
- Easy installation
- Also suitable for outdoor use (IP 54)

Order numbers

■ müller

FU 40.00 knx

GPS Sensorstation
with Light- / brightness
and temperature sensor

OUTDOOR SENSORS

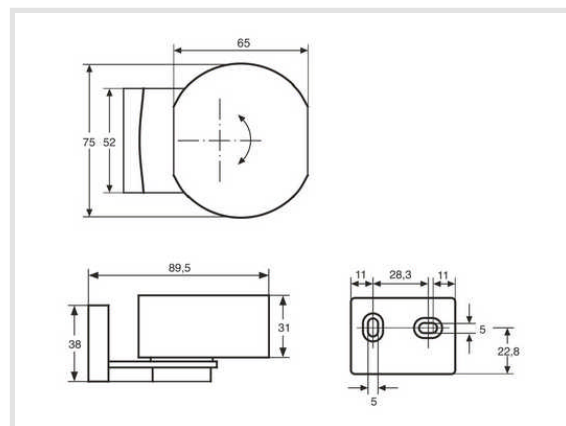
Sensorstation FU 40.00 knx

Order information

	EAN	Art. No.
FU 40.00 knx	4022709229984	22998

Technical data

Supply voltage	via KNX bus voltage
Bus current	< 10 mA
Bus system	KNX
Antenna	GPS receiver
Operation indicator	flashing LED
Measuring range light sensor	1...220.000 Lux
Measuring range temperatur sensor	-30...+55 °C
Permitted ambient temperature	-30...+55 °C
Housing	self-extinguishing thermoplastic
Dimensions	89,5 x 75 x 40 mm
Mounting	wall mounting (with included bracket)
Type of protection	IP 54 (DIN EN 60529)
Type of connection	KNX bus terminal



Functions and data provided to KNX bus:

GPS data	Timebase Geographical position: Latitude and Longitude Course / angle of solar radiation during the day Sunrise and sunset times
Lighting control	Send lux value to the bus Send light above / below threshold 1 / 2 Send light scene above / below threshold 1 / 2
Temperature control	Send temperature value to the bus Send temperature value above / below threshold 1 / 2 Send temperature scene above / below threshold 1 / 2
Twilight switch with daily program	Send signal On- / off or light scene according to defined thresholds
Time switch with daily program	Activate time 1 from...to activate time 2 from...to
Astronomic time switch with daily program	Send astro time Send astro plus time Send astro scene

Rights to technical amendments reserved / Technische Änderungen vorbehalten
Droits de modifications techniques réservés / Suscettibile di errori e modifich