

OUTDOOR SENSORS

Light- / brightness sensor LS 20.00 knx



Overview

- Light- / brightness sensor for Building automation KNX
- Lighting control
- Twilight switch with daily program
- Daily time switch
- Compact housing
- Easy to install
- Suitable for outdoor use (IP 54)

Order numbers

■ müller

LS 20.00 knx

Light- / brightness
sensor

OUTDOOR SENSORS

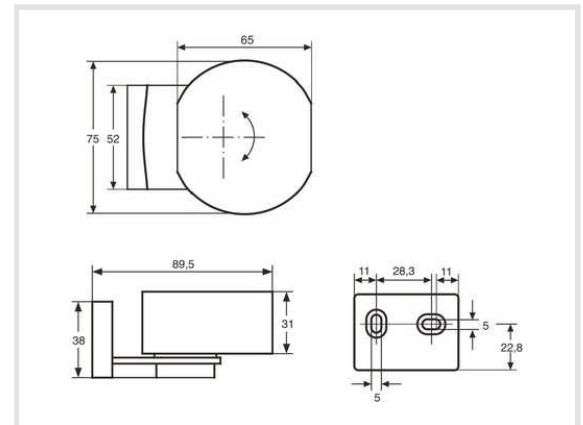
Light- / brightness sensor LS 20.00 knx

Order information

	EAN	Art. No.
LS 20.00 knx	4022709236852	23685

Technical Data

Supply voltage	via KNX bus voltage
Bus current	< 10 mA
Bus system	KNX
Measuring range light sensor	1...220.000 Lux
Permitted ambient temperature	-30...+55 °C
Housing	self-extinguishing thermoplastic
Dimensions	89,5 x 75 x 40 mm
Mounting	wall mounting (with included bracket)
Type of protection	IP 54 (DIN EN 60529)
Type of connection	KNX bus terminal



Functions and data provided to KNX bus:

Lighting control	Send lux value to the bus Send light above / below threshold 1 / 2 Send light scene above / below threshold 1 / 2
Twilight switch with daily program	Send signal On- / off or light scene according to defined thresholds
Time switch with daily program	Activate time 1 from...to activate time 2 from...to

Rights to technical amendments reserved / Technische Änderungen vorbehalten
Droits de modifications techniques réservés / Suscettibile di errori e modifich