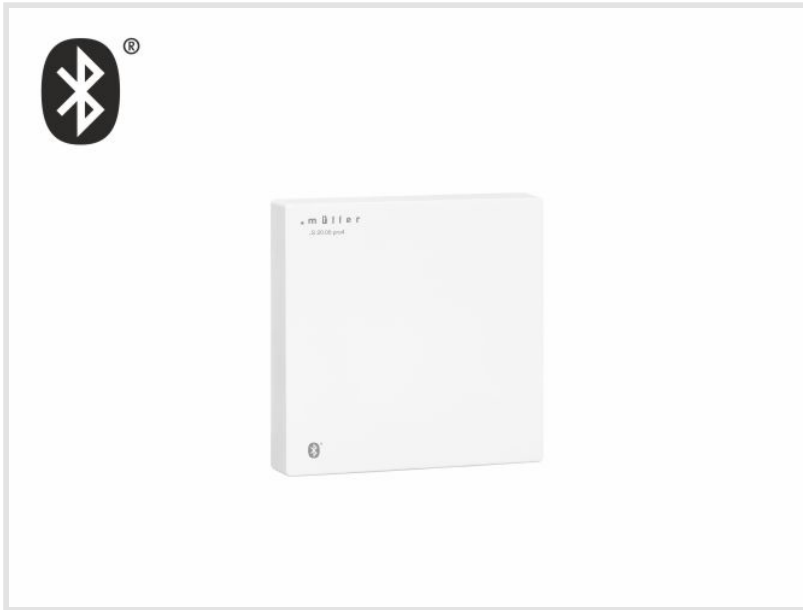


MI.SENSOR

müller LS 20.00 pro4 mi.sensor



Overview

- Bluetooth brightness, temperature and humidity sensor for müller mi.system
- Only applicable with EA 46.22 pro4 or EA 16.11 pro4!
- Detection of brightness, temperature and rel. humidity
- Mounting capabilities:
 - Mounting on window with vacuum cup for use as a light sensor (included)
 - Wall mounting
 - Integrated in switch design 55 x 55 mm with mounting plate 200.001 (see accessories)
 - Outdoor installation with mounting angle 200.002 (see accessories)
- Compact housing

Order numbers

■ müller	
LS 20.00 pro4	Light- / brightness sensor
	Temperature sensor
	Rel. humidity sensor

Accessories



Vacuum cup
200.003



Mounting angle
200.002



Mounting plate for
wall box 200.001

MI.SENSOR

müller LS 20.00 pro4 mi.sensor

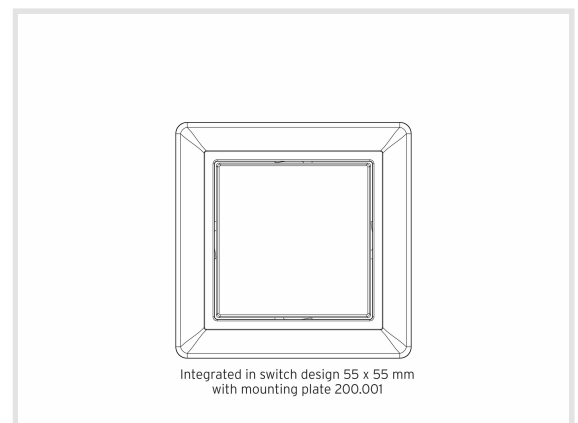
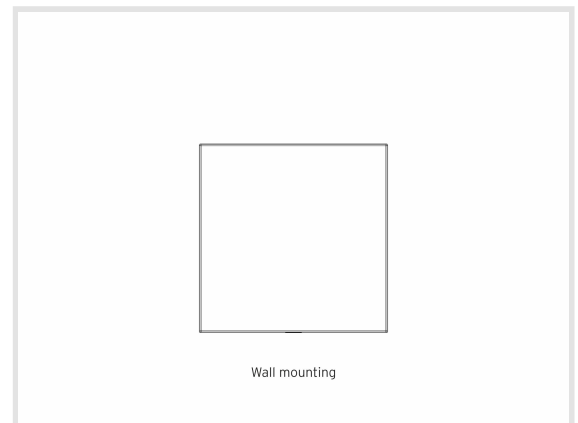
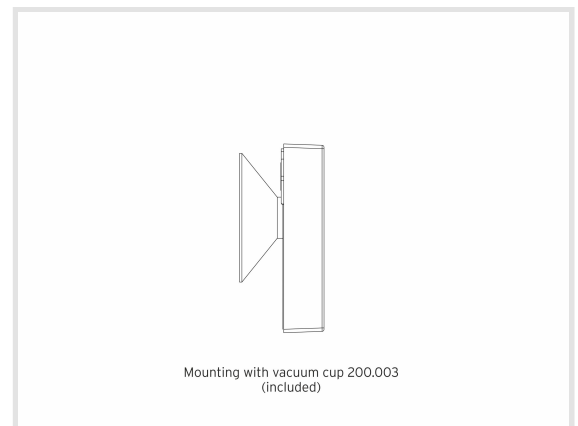
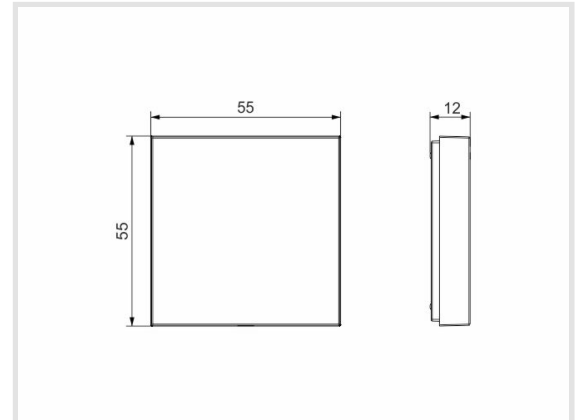
Order information

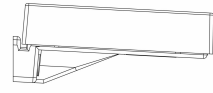
	EAN	Art. No.
LS 20.00 pro4	4022709239983	23998

Technical Data

Power supply	via Lithium-Battery CR 2032 IB (included)
Battery lifetime	approx. 6 years
Measuring range light sensor	0...65.000 Lux
Measuring range temperature	0...+45 °C
Measuring range relative humidity	0...100 %
Permitted ambient temperature	-10...+45 °C
Housing	self-extinguishing thermoplastic
Mounting	- Window with vacuum cup (included)
	- Wall
	- In frame (55 x 55 mm) with mounting plate
	- Wall (outdoor) with mounting angle
Type of protection	According to DIN EN 60529: IP X1 IP X4 when mounted with mounting angle
Class of protection	III when installed according to regulations

Rights to technical amendments reserved / Technische Änderungen vorbehalten
Droits de modifications techniques réservés / Suscettibile di errori e modifiche





Outdoor installation with
mounting angle 200.002