

OUTDOOR SENSORS

Light- / brightness and temperature sensor LS 30.00 knx



Overview

- Light- / brightness & temperature sensor for Building automation KNX
- Lighting control
- Temperature control
- Twilight switch with daily program
- Daily time switch
- Compact housing
- Easy to install
- Suitable for outdoor use (IP 54)

Order numbers

■ müller

LS 30.00 knx

Light- / brightness and
temperature sensor

OUTDOOR SENSORS

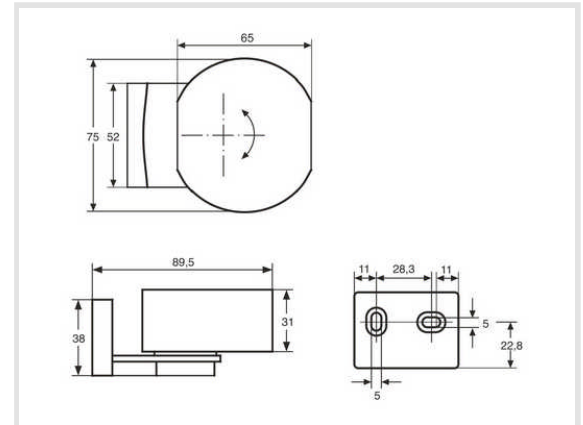
Light- / brightness and temperature sensor LS 30.00 knx

Order information

| | EAN | Art. No. |
|---------------------|---------------|----------|
| LS 30.00 knx | 4022709233295 | 23329 |

Technical data

| | |
|-----------------------------------|---------------------------------------|
| Supply voltage | via KNX bus voltage |
| Bus current | < 10 mA |
| Bus system | KNX |
| Measuring range light sensor | 1...220.000 Lux |
| Measuring range temperatur sensor | -30°...+55° C |
| Permitted ambient temperature | -30°...+55° C |
| Housing | self-extinguishing thermoplastic |
| Dimensions | 89,5 x 75 x 40 mm |
| Mounting | wall mounting (with included bracket) |
| Type of protection | IP 54 (DIN EN 60529) |
| Type of connection | KNX bus terminal |



Functions and data provided to KNX bus:

| | |
|------------------------------------|---|
| Lighting control | Send lux value to the bus Send light above / below threshold 1 / 2 Send light scene above / below threshold 1 / 2 |
| Temperature control | Send temperature value to the bus Send temperature value above / below threshold 1 / 2 Send temperature scene above / below threshold 1 / 2 |
| Twilight switch with daily program | Send signal On- / off or light scene according to defined thresholds |
| Time switch with daily program | Activate time 1 from...to activate time 2 from...to |

Rights to technical amendments reserved / Technische Änderungen vorbehalten
Droits de modifications techniques réservés / Suscettibile di errori e modifiche