

ROOM TEMPERATURE CONTROLLERS

Room temperature controllers TS 37.11 knx / TS 38.11 knx



Zubehör



TF06 Temperature sensor

Overview

- Sensor for temperature measurement
- Temperature control over KNX
- Temperature sensor (Measuring range 0...+50°C)
- 5 binary and analogue inputs (e.g. for connecting an external temperature sensor)
- Clearly structured ETS
- Easy installation and mounting
- Modern design
- Flush mounting
- Fits in common switch range (55 x 55 mm)
- TS 38.11 knx: manual adjustment of set-point temperature via touch slider (adjustment range $\pm 3^\circ$, increment $0,5^\circ$)
- Party function
- **Frame is not included in delivery**

Order numbers

■ müller	
TS 37.11 knx	room temperature controller
TS 38.11 knx	room temperature controller with manual set-point temperature adjustment $\pm 3^\circ\text{C}$

ROOM TEMPERATURE CONTROLLERS

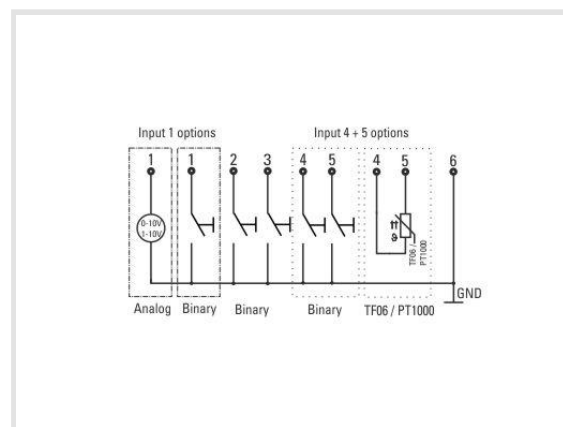
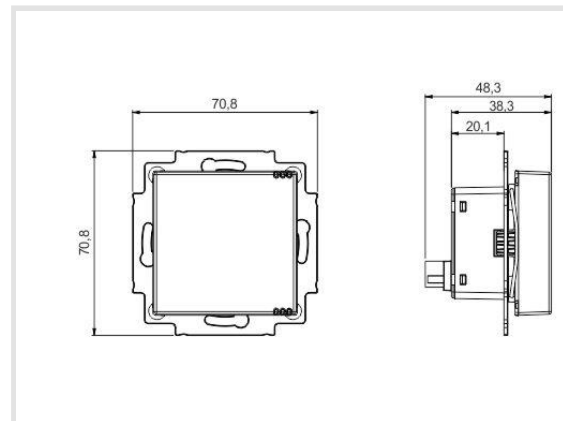
Room temperature controllers TS 37.11 knx / TS 38.11 knx

Order information

	EAN	Art. No.
TS 37.11 knx	4022709243751	24375
TS 38.11 knx	4022709243768	24376
TS 37.11 knx RAL9005 jet black	4022709244291	24429
TS 38.11 knx RAL9005 jet black	4022709244277	24427

Technical data

Supply voltage	via KNX bus voltage
Bus current	< 10 mA
Bus system	KNX
Sensors	temperature
Inputs	5 binary and analog inputs I1: analog input 0-10 V I4 & I5: For external temperature sensor input for most common temperature sensors
Manual operation	manual adjustment of set-point temperature (adjustment range $\pm 3^\circ$, increment $0,5^\circ$)
Measuring range temperature	0...+50 °C
Permitted ambient temperature	0°...+50° C
Housing	self-extinguishing thermoplastic
Dimensions	55 x 55 mm
Housing color	studio white (similar to RAL 9016) or jet black (similar to RAL 9005) specific colors on request
Mounting	flush-mounting
Type of connection	push-in connector KNX-connector
Type of protection	IP 20 (DIN EN 60529)
Class of protection	III when installed according to regulations
Type of connection external inputs	wire diameter max. 6 x 0,2 - 4,0 mm ² strip length 10 mm



Functions and data provided to KNX bus:

Temperature	Value output Control heating (2-point- and PI control) Control cooling (2-point- and PI control) Alarms
and much more...	

Rights to technical amendments reserved / Technische Änderungen vorbehalten
Droits de modifications techniques réservés / Suscettibile di errori e modifiche