

AIR QUALITY CONTROLLERS

Air quality sensors & controllers GS 47.11 knx / GS 48.11 knx



Zubehör



TF06 Temperature sensor

Overview

- Detection of air quality (CO₂-concentration, rel. humidity, temperature)
- CO₂-sensor (Measuring range 390...5.000 ppm air pressure compensated)
- CO₂-value is atmospheric pressure compensated
- Sensors for CO₂-, temperature, humidity and atmospheric pressure measurement
- Temperature sensor (Measuring range 0...+50°C)
- Humidity sensor (Measuring range 0...100 % rel. humidity)
- Humidity comparator function
- 5 binary and analogue inputs (e.g. for connecting an external temperature sensor)
- Clearly structured ETS
- Easy installation and mounting
- Modern design
- Flush mounting
- Fits in common switch range (55 x 55 mm)
- manual adjustment of set-point temperature via touch slider (adjustment range $\pm 3^\circ$, increment 0,5°)
- CO₂ / rH - monitor
- **Frame is not included in delivery**

Information about CO₂ and Covid-19

- Every person is emitting CO₂ and aerosols e.g. during breathing. Today **aerosols are claimed to be one of the transmission ways of SARS-CoV-2**. CO₂-concentrations can be measured and the correlation between the CO₂ and the aerosol concentration can be used for analytical investigations, which use the measured CO₂-concentration to calculate a likely aerosol concentration. (TU Berlin)
- A longer stay in small, bad or not ventilated room can increase the probability of a Covid-19 spread by aerosols even on bigger distances over 2 m. (RKI)
- The use of our CO₂-sensors and the resulting room ventilation **helps minimizing the risk of infection** e.g. in schools or offices, gyms, restaurants or other premises where several people stay together.

Order numbers

■ müller

GS 47.11 knx

CO₂- air quality sensor with CO₂/rH-monitor

GS 48.11 knx

CO₂- air quality sensor & controller with manual set-point temperature adjustment $\pm 3^\circ\text{C}$ & CO₂/rH-monitor

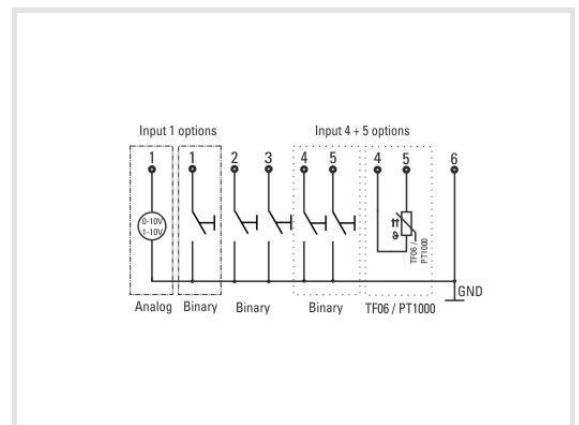
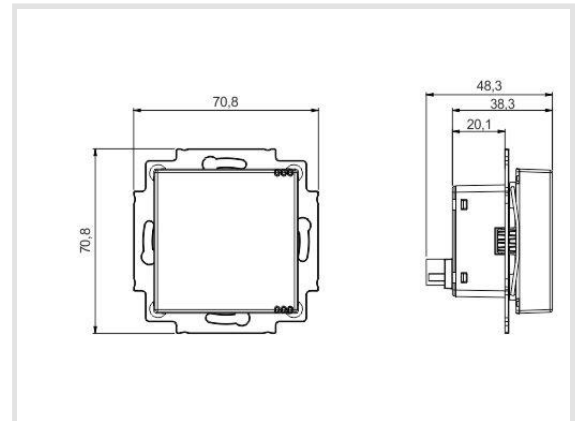
AIR QUALITY CONTROLLERS

Air quality sensors & controllers GS 47.11 knx / GS 48.11 knx

Order information

EAN

Art. No.



GS 47.11 knx	4022709243799	24379
GS 48.11 knx	4022709242396	24239
GS 47.11 knx RAL9005 jet black	4022709244307	24430
GS 48.11 knx RAL9005 jet black	4022709244284	24428

Technical data

Supply voltage	via KNX bus voltage
Bus current	< 10 mA
Bus system	KNX
Sensors	CO ₂ temperature relative humidity atmospheric pressure dew point VAV ventilation control
Inputs	5 binary and analog inputs I1: analog input 0-10 V I4 & I5: For external temperature sensor input for most common temperature sensors
Manual operation	manual adjustment of set-point temperature (adjustment range $\pm 3^\circ$, increment $0,5^\circ$)
Measuring range CO ₂ -concentration	390...5.000 ppm (air pressure compensated)
Measuring range temperature	0...+50 °C
Measuring range relative humidity	0...100 %
Measuring range atmospheric pressure	300...1.100 hPa
Permitted ambient temperature	0°...+50° C
Housing	self-extinguishing thermoplastic
Dimensions	55 x 55 mm
Housing color	studio white (similar to RAL 9016) or jet black (similar to RAL 9005) specific colors on request
Mounting	flush-mounting
Type of connection	push-in connector KNX-connector
Type of protection	IP 20 (DIN EN 60529)
Class of protection	III when installed according to regulations
Type of connection external inputs	wire diameter max. 6 x 0,2 - 4,0 mm ² strip length 10 mm

Functions and data provided to KNX bus:

CO ₂	Value output Control (step and PI control)
Relative humidity	Value output Control (step and PI control) Comparator
Temperature	Value output Control heating (2-point- and PI control) Control cooling (2-point- and PI control) Alarms
Dewpoint	Value output Alarms
Heat index	Value output Alarms
Air pressure	Value output
VAV control	Value output (0...100%)
and much more...	

Rights to technical amendments reserved / Technische Änderungen vorbehalten
Droits de modifications techniques réservés / Suscettibile di errori e modifiche